

SUBDRIVE INLINE 1100

CONSTANT PRESSURE SYSTEM

Supplying Consistent Water Pressure

Franklin Electric's SubDrive Inline 1100 provides constant pressure for both private wells and municipal/city water systems.

Features:

- A complete and packaged system
 - Pump, motor, drive and pressure switch in one box
- Small and compact design
 - Fits into small areas, even between floor joists
- Stainless steel construction
 - Made for years of operation
- Simple and easy installation
 - Step-by-step illustrated instructions
- Quiet and cool operation
 - Integrated motor design allows water to flow around it
- NEMA 4 electronics enclosure
- Multiple mounting configurations
 - Lets you install the unit where you need it: horizontal, vertical & even upside down
- Product power rating: 1.2 hp, 0.9 kW
- Shipping weight: 50 lbs, 22.7 kg
- Built in system protections guard the Inline unit from many common failure modes including: surge protection, voltage underload, locked pump, open circuit, short circuit and overheated controller.



Applications:

- Boosted and consistent water pressure from water storage/cistern systems
- Homes – both in private and municipal applications
- General pressure boosting
- Sprinkler systems
- Farming and commercial wash down systems

Municipal/City Water Systems

Franklin now has an affordable answer for homeowners not satisfied with the water pressure they receive from their city water provider. The Inline 1100 is a simple, efficient product that allows the homeowner to add to their water usage, or just boost and maintain pressure.



Private Well Systems



The Inline 1100 provides a constant pressure solution for homes with low yielding wells, where storage tanks or cisterns are used.

Want to add a sprinkler system?

The Inline 1100 is versatile and makes quick work of booster pump installation, often needed in a sprinkler system. The NEMA 4 electronics enclosure ensures a watertight seal.



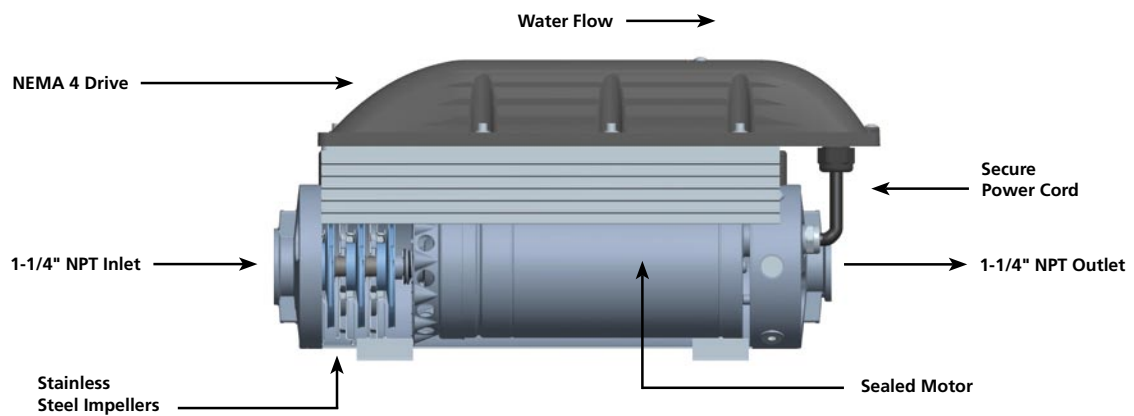
Ordering Information

Model Description	Order No.	Input Voltage	Input Phase
25SDIL1100N4 ¹	90401101	230	Single
Drive Assembly	305707901	230	Single
Pump Motor Assembly	305707902	230	Single
Mounting Feet	305707903	N/A	N/A
Pressure Switch	305707906	N/A	N/A
Pressure Tank (2-gallon)	305707910	N/A	N/A
Fastener Kit	305707904	N/A	N/A
Pressure Switch Cable	305707905	N/A	N/A
Overpressure Switch ²	305707909	N/A	N/A
Overpressure Switch Cable ²	305707908	N/A	N/A

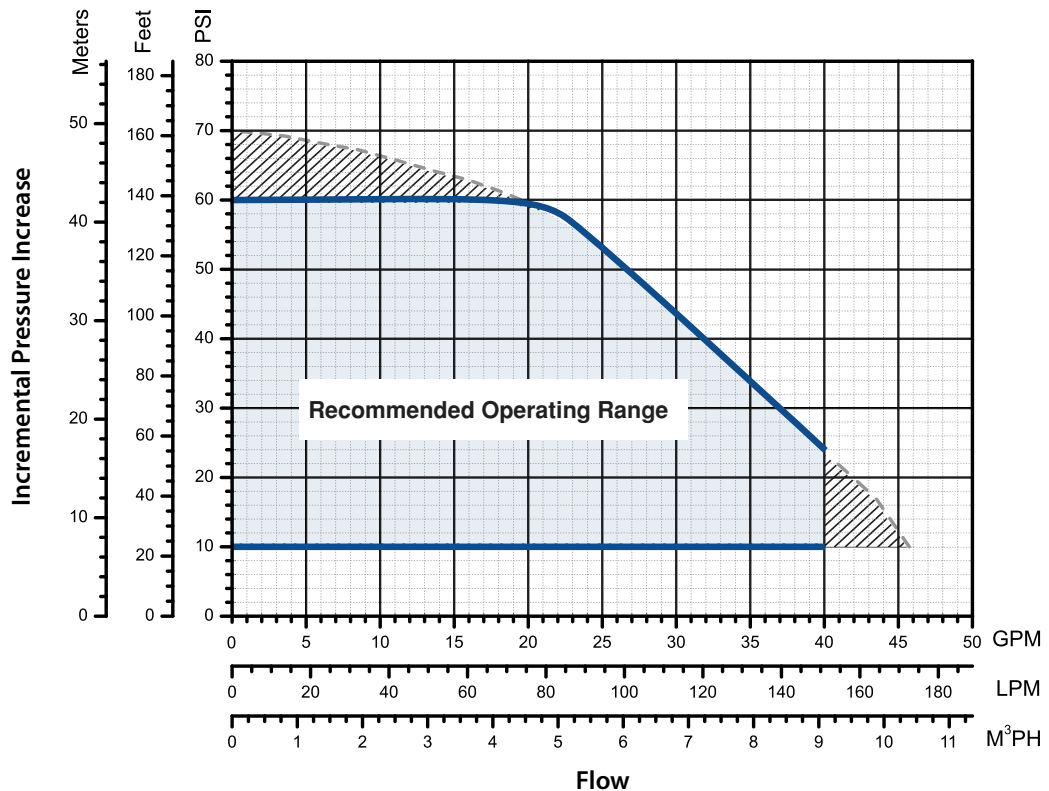
¹ Includes pump, motor, drive, pressure switch, and all cables.

² Overpressure switch is sold as an accessory and is not required for normal operation.

System Components

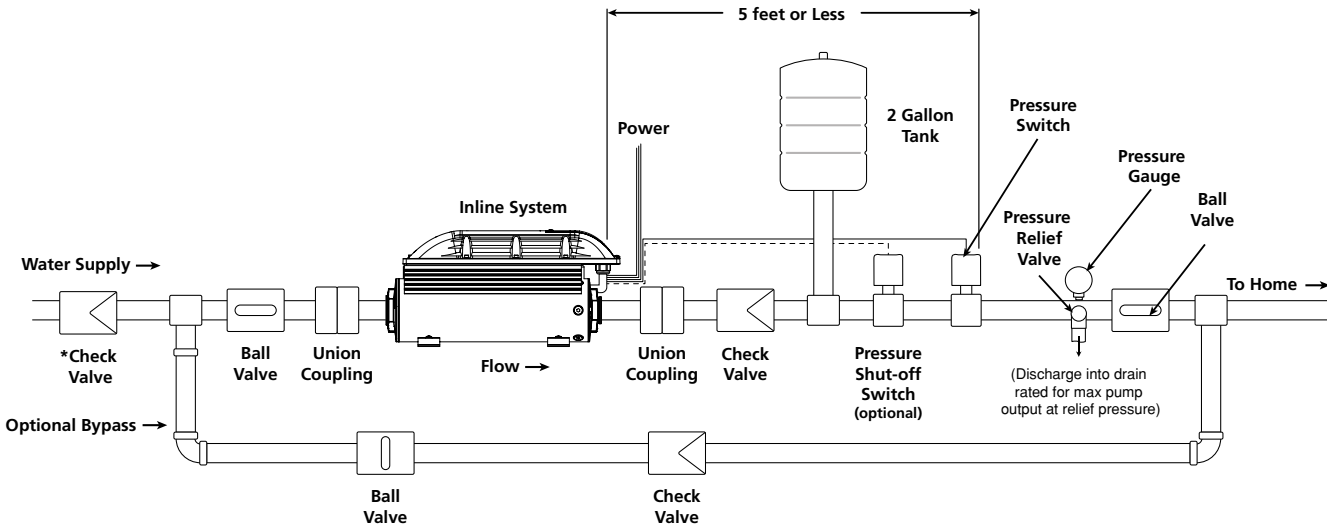


Performance Curve



NOTE: Running outside of 'Recommended Operating Range' for short periods of time is permissible.

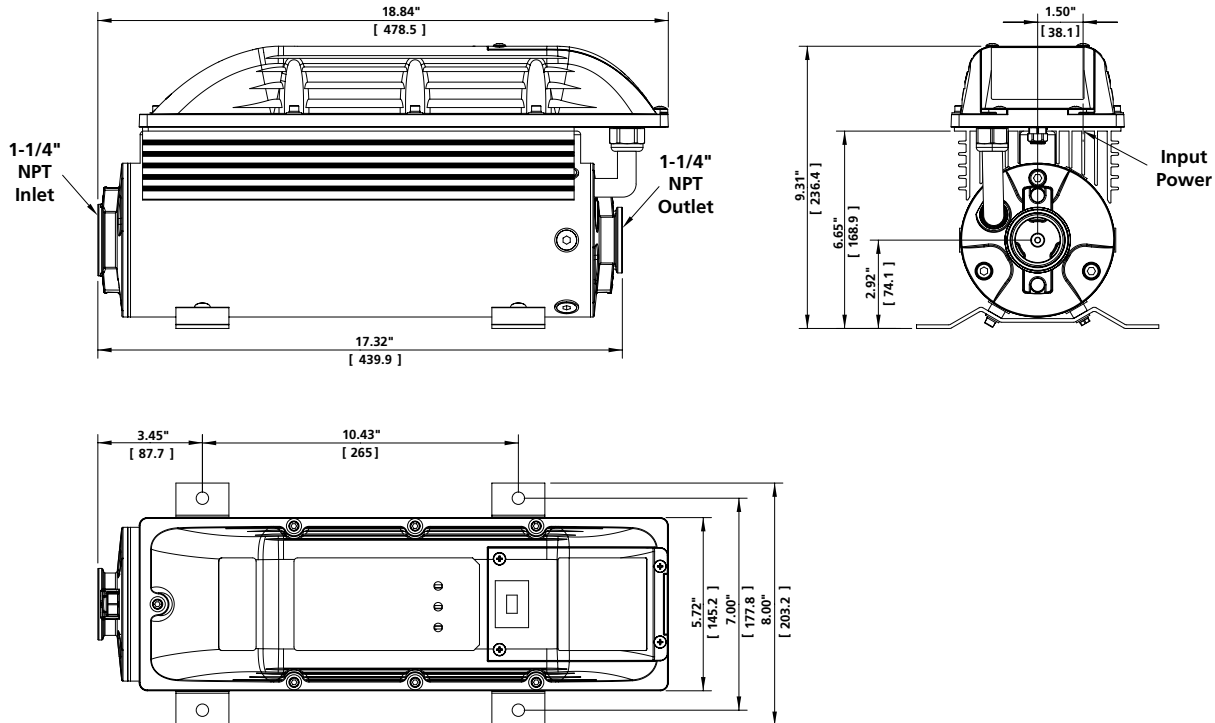
Typical Installation



***NOTICE:** If system plumbing does not have a backflow prevention device, a check valve is required on the incoming water supply line.

NOTE: These optional components are shown in a typical installation diagram. They should be used at the installer's discretion as required for particular applications.

Dimensions



Franklin Electric

400 East Spring Street, Bluffton, Indiana 46714
 Tel: 260.824.2900 • Fax: 260.824.2909
www.franklin-electric.com

